

A white motorboat is shown on a lift at a dock. The boat is white with a black hull and a black stripe. It has a cabin with a windshield and a steering wheel. The lift is made of metal and is supported by concrete pillars. The boat is on a concrete dock. The background shows a blue sky with white clouds and green hills in the distance.

GOLDEN[®]
Boat Lifts

When it's Done Right... it's Golden!

PRODUCT CATALOG

INDEX

Golden Boat Lifts	page 2
Golden Drive Systems	page 3
Elevator Systems	pages 4/5
4, 6 and 8 Post Beam Lifts	pages 6/7
GatorVator™ Boat Lifts	pages 8/9
Low Profile Systems	page 10
Nelson Float Lifts	page 11
Custom Solutions and Sailboat Lifts	page 12
Personal Water Craft (PWC) Lifts	page 13
Accessories	page 14
Golden Lifts Overview	page 15

Cover Photo: 160,000 Lb Lift in French St. Maarten

Golden Boat Lifts, Inc. is
"ISO 9001:2008 Certified"



GOLDEN BOAT LIFTS: RAISING THE STANDARD TO NEW HEIGHTS

Over 30 years ago, Bill Golden, a veteran in the boat lift industry, saw a need. A need for a company which put design, craftsmanship, quality, safety and service first. Bill and his team of industry veterans have over 200 years combined experience in the Boat Lift Industry and have earned Golden the respect and confidence of customers around the world. Our motto "When It's Done Right, It's Golden!" says it all.



Today, Golden Boat Lifts' modern manufacturing facility is **ISO 9001:2008 Certified** and operates under the strict guidelines of this worldwide standard. Golden Boat Lifts holds several patents on its innovative designs and is also CE Approved.

Our knowledge of boat lifts allows us to bring you the finest boat lift possible at a price you can afford. Golden Boat Lifts is committed to manufacturing the

"Finest Boat Lifts in the World." We provide a full range of lift systems customized for powerboats, pontoon boats, jet boats, wave runners, sailboats, and motor yachts of all types.

We encourage you to compare our products and company reputation to all other boat lift manufacturers: we are confident you will see why our customers come back time after time to buy our products.

Please contact us before you buy a boat lift. Golden Boat Lifts are the surest way to protect your investment.



Our knowledge of boat lifts allows us to bring you the finest boat lift possible at a price you can afford. Golden Boat Lifts is committed to manufacturing the

Please contact us before you buy a boat lift. Golden Boat Lifts are the surest way to protect your investment.

Structural Materials

All Golden Boat Lifts are constructed of 6061-T6 Marine Grade Aluminum. Hardware and cables are high quality 300 series Stainless Steel. Golden has been using aluminum bearings with grease fittings for over 25 years without one single problem. That's why we can have a 15

year warranty on our structures even with the bearings welded into the structure. The bearings are also warranted for 15 years!

All our lifts are welded

We weld all components that are not adjustable. The main reason that we weld all our boat lifts is because we believe that the extra expense of a skilled welder and the best welding materials are worth it. Mercedes Benz, Bentley, Rolls Royce, BMW, and Jaguar, just to name a few, have the same belief that a welded aluminum frame is far superior to one that is bolted.



The installation of Golden Boat Lifts in large marina projects and their use by police and other public services is further testimony to the reputation for quality and reliability all of our lifts have gained.



GOLDEN DRIVE SYSTEMS

No boat lift is better than its drive system and Golden Boat Lifts offers two of the best.

The "SEA-Drive" Lift System

Golden Boat Lifts has the finest drive unit ever introduced for a boat lift system. The "SEA-Drive" enclosed gear system is an oil bath gear reducer. Our system incorporates the gear box directly to the Driveshaft, powered by 1/2 hp to 2 hp motors.



This gear box was designed exclusively for Golden Boat Lifts. We required that the gear box have a rating of 8,000 inch pounds of torque. This far exceeds 4,000 inch pounds

that the closest rival's gearbox can produce. We also can lift boats faster, "Over Twice as Fast" and safer than any other lift of the same capacity.

Here are some of the distinct advantages of the "SEA-Drive" Lift System:

- Specifically designed for boat lift applications.
- **10 year manufacturer's warranty on gears, seals and housing.**
- Two year warranty on electrical components.
- U.L. approved electrical components.
- Stainless steel motors for a great appearance and longest life possible.
- No backdrift potential.
- Smoother, noise free operation.
- Maintenance free, enclosed flat plates.
- SEA-Drive eliminates the chance of failure due to slipping belts or broken chains.
- Gear wear and oil/grease inspection port.
- The motor is located on top of the beam, out of the way.
- U.V. resistant polypropylene cover supplied with painted motor.

Marine Flat Plate Drive

All flat plate drives use the same time tested powerful worm gear drive. This workhorse of the industry is available on lifts up to 20,000 pounds.

- Available in painted steel or aluminum.
- Five year warranty on mechanical components and up to 25 years on the plate.
- Two year warranty on electrical components.
- U.L. approved electrical components.
- Switch, ground fault, and motor are manufactured and designed specifically for the boat lift industry.
- Three-stage switch with stainless contacts.
- U.L. tested ground fault circuit interrupter.
- Motors available painted or stainless.
- Standard U.V. resistant polypropylene cover with stainless steel brackets.



- Each boat lift cradle is engineered & designed to fit the boat manufacturer's recommended bunk placement.
- State-of-the-art materials and components are manufactured by skilled craftsmen.
- Over thirty years of experience in all phases of boat lift manufacturing, service and consulting.
- Golden's warranty is the best in the industry: 2 years bumper to bumper, 15 years on the structure for the 4, 6 and 8 post lifts and the Gatorvator®.
- All products are engineered and protected by "Products Liability Insurance".



GOLDEN ELEVATOR LIFTS

ELEVATOR CONFIGURATIONS

All Golden Elevators have two motors. Angle of installation will depend on the characteristics of the site.

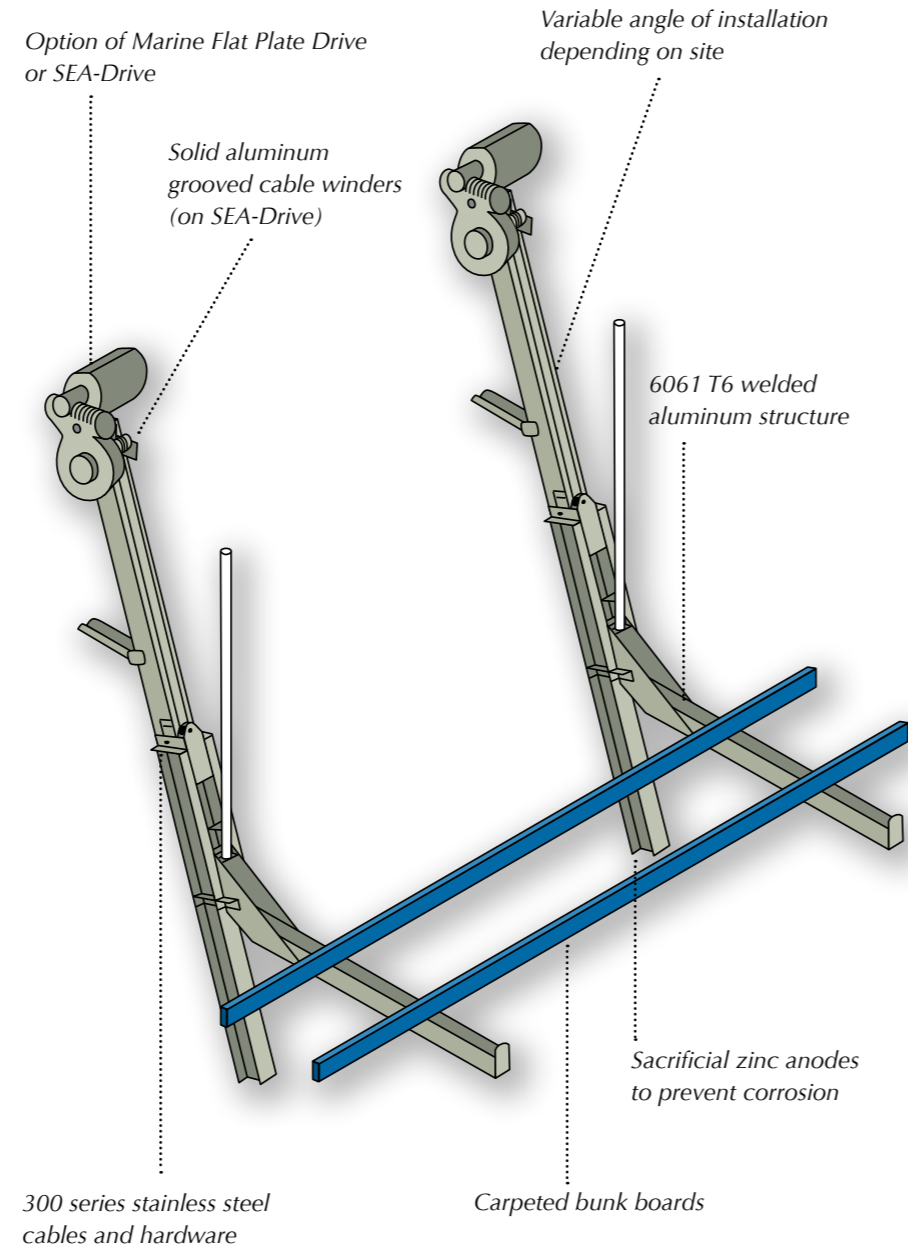
Golden Elevator Capacities are:

- 3,000 lbs
- 5,000 lbs
- 7,000 lbs
- 10,000 lbs
- 12,000 lbs
- 15,000 lbs
- 17,000 lbs
- 20,000 lbs
- 24,000 lbs
- 30,000 lbs
- Larger sizes available

Golden Aluminum Elevators are the best designed lift on the market today. These lifts provide a solution for situations such as narrow canals, embankments and locations where pilings cannot be used. Small lots sometimes make access to your slip impossible: this is the answer. Golden Boat Lifts designed the most up to date Elevator available today, especially for these conditions.

Made of marine grade aluminum, it has a 5 year structural warranty, 10 year drive unit warranty and a 2 year bumper to bumper warranty. Components are welded for strength, oversized grooved winders are used for extended cable life and stainless steel wheel brackets are fitted on all Golden Elevators for longer life. Nylatron wheels are used with the 10,000 lb. lifts and larger. Lifts come complete with sacrificial zinc anodes to protect against electrolysis.

Elevators come standard with Flat Plate Drives or optional SEA-Drive units. Guide posts and carpeted bunk boards are standard. Elevators can be installed vertically or at an angle. The angle required will be determined by the water depth, how far out it is needed to reach deep water, and other conditions where the lift will be installed.



Features

- Aluminum flat plates or SEA-Drives.
- Zinc anodes.
- Guide posts.
- Carpeted bunk boards.
- Oversized grooved cable winders for longer cable life.
- Stainless steel cables.
- Stainless steel hardware.
- Stainless steel brackets and axles.
- Heavy-duty wheels and adjustable mount brackets.

Elevator Lift Warranty

- 5 year limited structural warranty.
- 10 year drive unit warranty.
- 2 year "bumper to bumper" warranty.



Why is the Golden Elevator better than the others?

Well, to start with, Golden built the very first aluminum elevator in 1986 and it is still in operation today in the Florida Keys. Golden's 30 years of experience manufacturing boat lifts and input from the most experienced elevator installers (the Atlantic Boat Lift Team) have enabled us to put together the finest aluminum elevator lifts available today.

We are the only company to use stainless steel wheel brackets on all our lifts. The first to have stainless steel backed drive units and stainless steel fasteners standard on all elevators. We use over-sized grooved cable spools.

All our lifts are engineered with a minimum of 4.5 to 1 safety factor including the cables, much safer than most other competitor's lifts. On the 10,000 lb. capacity lifts and larger we use a blue nylon wheel for the longest life possible. Our solid tracks and solid welded cradle arms eliminate any dissimilar metal problems. All our elevator lifts come supplied with sacrificial zinc anodes.

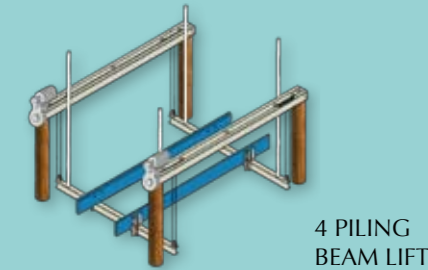


GOLDEN 4, 6 AND 8 POST BEAM LIFTS

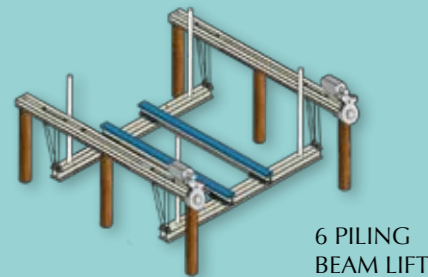
These 4, 6 and 8 piling units are traditional shafted beam boat lifts. All are engineered to withstand harsh saltwater conditions using 6061 T6 marine grade aluminum and all stainless hardware. All Golden Lifts are welded for structural integrity while bolting is limited to components requiring adjustments.

As with all Golden Boat Lifts, grooved aluminum cable winders and stainless steel cables are standard. Hardware and cables are made of high quality 300 series stainless steel. All Golden Beam Lifts are available with the option of Flat Plate Drives or "SEA-Drive" systems. 4 and 6 piling lifts have 2 motors, while 8 piling lifts have 4 motors.

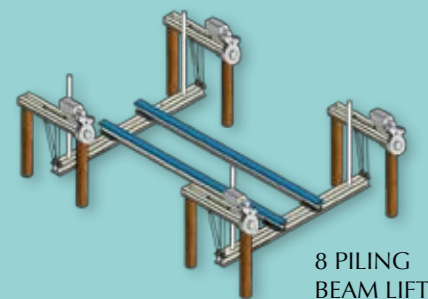
Golden Beam Lifts are available with lift capacities from 4,500 lbs to a monstrous 250,000 lbs. And with speeds that have passed those of all our competitors.



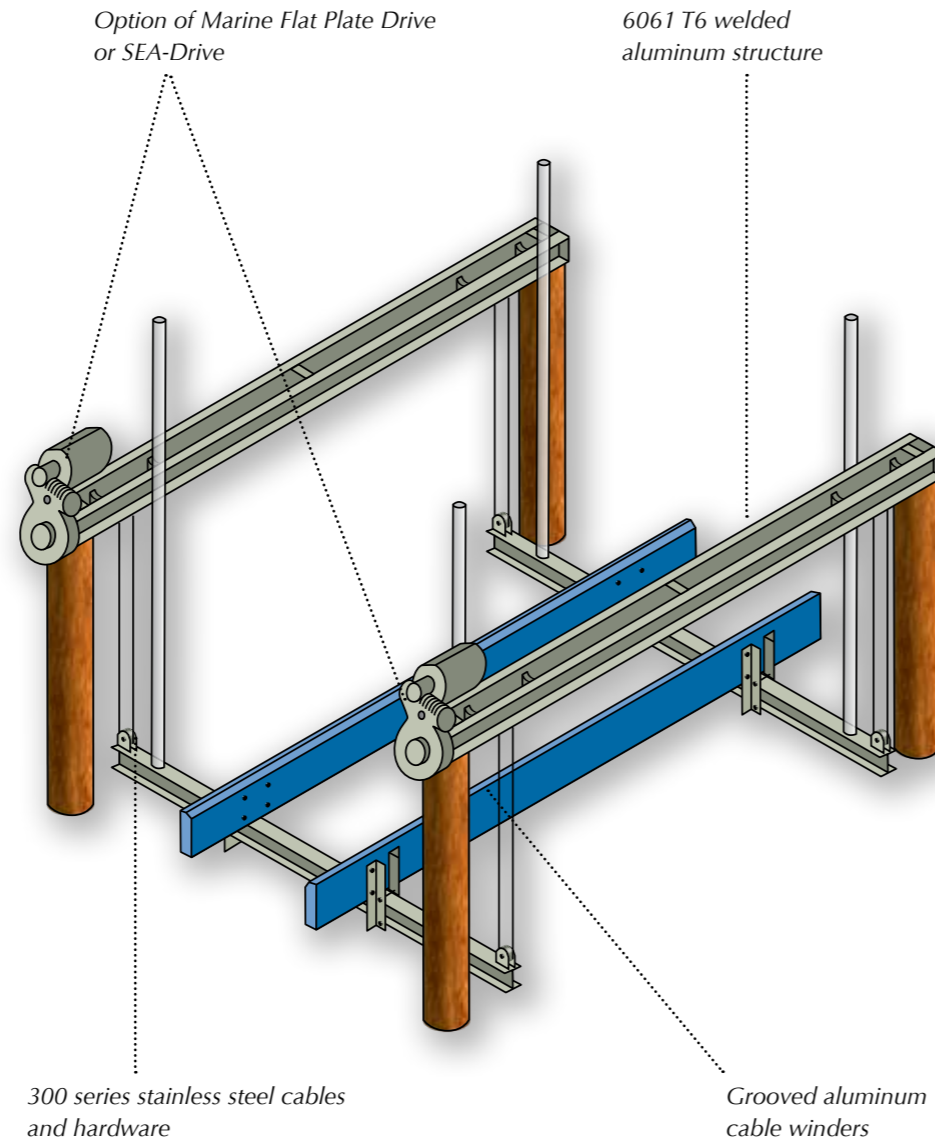
4 PILING BEAM LIFT



6 PILING BEAM LIFT



8 PILING BEAM LIFT



Features

- 6061 aluminum structure.
- All non-adjustable parts are welded.
- Pre-wound and assembled beams.
- Pre-assembled cradle beams.
- Pulleys with grease fittings.
- Available with Flat Plate or SEA-Drives.
- Motors are painted or stainless steel.
- Grooved aluminum cable winders.
- All hardware and cables are 300 series stainless steel.

Boat Lift Warranty

15 year warranty on the structural parts and 2 years on all other parts. All lifts are covered by Products Liability Insurance.



LIFT CONFIGURATIONS

Golden Beam Lifts are available in 4 and 6 piling configurations with two motors, and in 8 piling configurations with four motors.

Golden Beam Lift Capacities are:

- 4,500 lbs
- 5,000 lbs
- 7,000 lbs
- 7,500 lbs
- 10,000 lbs
- 12,000 lbs
- 14,000 lbs
- 16,000 lbs
- 20,000 lbs
- 24,000 lbs
- 28,000 lbs

(4 piling lifts)

- 28,000 lbs

(6 piling lifts)

- 32,000 lbs
- 40,000 lbs
- 60,000 lbs
- 80,000 lbs
- 120,000 lbs
- 150,000 lbs
- 180,000 lbs
- 250,000 lbs

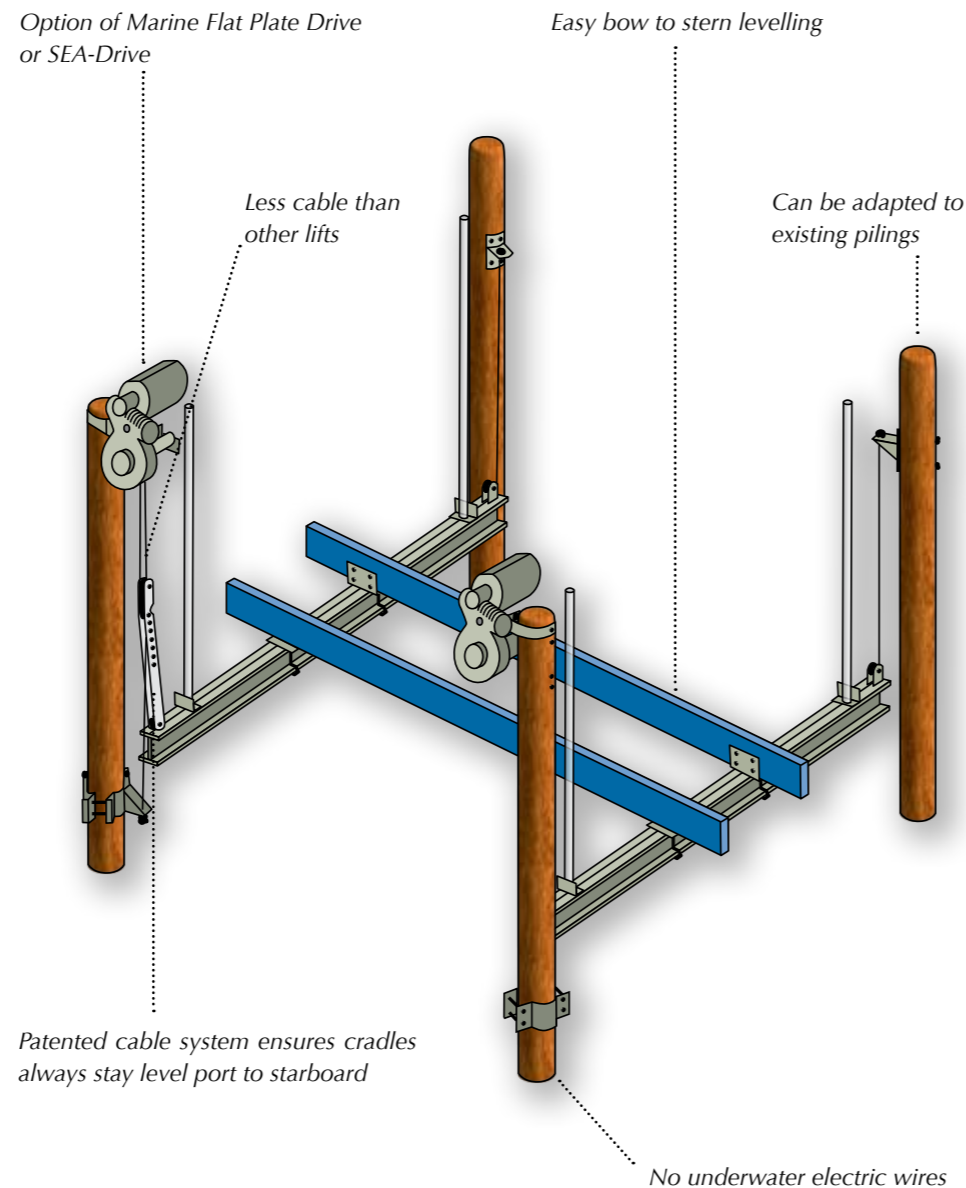
(8 piling lifts)

GOLDEN GATORVATOR™ BOAT LIFTS

This unique patented GatorVator™ lift design allows us to manufacture a boat lift without the use of an upper structure, eliminating the unsightly beams that make boarding difficult. It also enables the motors to be placed on the shore side for easy maintenance and permits leveling of your boat from bow to stern for easy draining while the unique patented cable system ensures the cradles will always stay level port to starboard.

The GatorVator™ lift requires only two drive spools. They are 3½" diameter, grooved for the longest cable life possible and the cables never wrap over the top of each other. These lifts have less cable than all other lifts with or without top beams. No electric wires run under the water and the lifting speed is 33% faster.

It is adaptable to boat houses, existing pilings and other structures. The GatorVator™ fits in narrow areas along the dock and is user and installer friendly.



GATORVATOR CONFIGURATIONS

GatorVator™ Boat Lifts are available in 3 post configurations with one or two motors, and in 4 post configurations with two or four motors.

GatorVator™ Lift Capacities are:

- 2,000 lbs
 - 4,000 lbs
- (The 2,000 lbs and 4,000 lbs capacity lifts are a one motor, 3 piling lift setup with no upper beams.)

- 7,000 lbs
 - 10,000 lbs
 - 14,000 lbs
- (The 7,000 lbs, 10,000 lbs and 14,000 lbs capacity lifts have 2 or 4 motors and are either a 3 piling or a 4 piling configuration.)

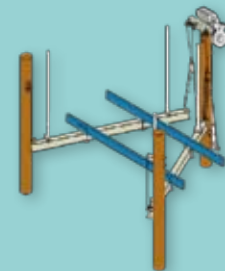
- 16,000 lbs (4 pilings only)
 - 20,000 lbs
 - 24,000 lbs
 - 30,000 lbs
- (The 16,000 lbs, 20,000 lbs, 24,000 lbs and 30,000 lbs capacity lifts are all 4 piling 4 motor configurations.)

Features

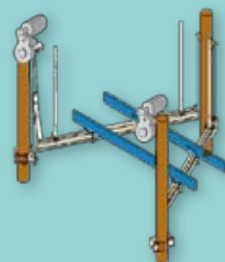
- Ease of maintenance.
- Fits in narrow areas along the dock.
- Fits most pile configurations.
- 33% Faster!
- Less cable than other boat lifts.
- No unsightly beams.
- Easy access on and off the boat.
- No electric wiring under water.
- Available with Flat Plate or SEA-Drives.
- Motors are painted or stainless steel.
- Simple leveling of boat from bow to stern.

GatorVator™ Lift Warranty

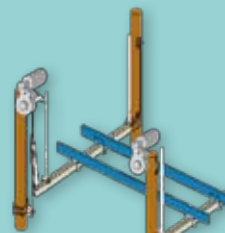
15 year warranty on the structural parts and 2 years on all other parts.



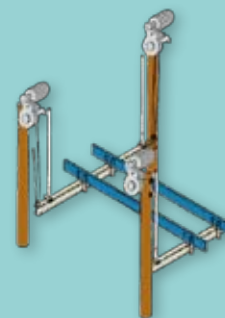
3 PILING
1 MOTOR



3 PILING
2 MOTOR



4 PILING
2 MOTOR



4 PILING
4 MOTOR

GOLDEN LOW PROFILE BOAT LIFTS

LOW PROFILE CONFIGURATIONS

All Golden Low Profile Lifts have either two or four motors.

Golden Low Profile Capacities are:

- 4,500 lbs
- 7,000 lbs
- 10,000 lbs
- 12,000 lbs
- 14,000 lbs
- 16,000 lbs
- 20,000 lbs
- 24,000 lbs
- 28,000 lbs
- 32,000 lbs
- 40,000 lbs

Golden Low Profile Lifts are similar to the Golden 4 piling beam lifts but with a lower superstructure profile. This gives improved aesthetic value, less wind resistance and easy boarding of your boat. Low Profile Lifts are built to the same exacting standards as other Golden Lifts: welded aluminum structure and all stainless hardware, grooved aluminum cable winders and stainless steel cables are all standard. Golden Low Profile Lifts are available with the option of Flat Plate Drives or "SEA-Drive" systems.



Features

- Pleasing aesthetics.
- Easier boarding.
- Less wind resistance.
- 6061 aluminum structure.
- All non-adjustable parts are welded.
- Available with Flat Plate or SEA-Drives.
- Motors are painted or stainless steel.
- Grooved aluminum cable winders.
- All hardware and cables are 300 series stainless steel.

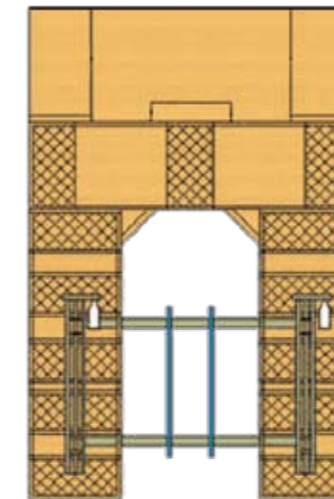
Low Profile Lift Warranty

15 year warranty on the structural parts and 2 years on all other parts.



NELSON FLOAT LIFTS

The Golden Floating Dock Boat Lifts provide a convenient, attractive and environmentally sensitive type of lift for small or medium sized boats. The fully integrated Golden Boat Lift is totally concealed under decking custom built to match your environment. This provides an unobstructed water view and unrivalled access to your boat. SEA-Drive units and plug-in AC power are standard, while optional DC solar power is available. These units are manufactured to the same exacting standards as other Golden Lifts with welded aluminum structures and stainless steel cables and hardware.



Features

- Pleasing aesthetics.
- Easier boarding.
- Less wind resistance.
- 6061 aluminum structure.
- All non-adjustable parts are welded.
- Available with SEA-Drives.
- Motors are painted or stainless steel.
- Grooved aluminum cable winders.
- All hardware and cables are 300 series stainless steel.
- Easily installed, moved and removed.
- Can be installed where piles cannot.
- Contractor decked to match any environment.
- Concealed mechanics.
- Complete access to boat.
- Unobstructed water view.
- Integrated Golden Boat Lift included.
- Plug-in AC power standard.
- Optional solar power (DC).
- Adjustable upper and lower stops.



NELSON FLOAT LIFT CONFIGURATIONS

Golden Nelson Float Lift capacities are:

- 4500 lbs
- 7000 lbs
- 10,000 lbs
- 14,000 lbs
- 20,000 lbs
- 24,000 lbs

Larger lifts are available upon request.

Nelson Float Lift Warranty

5 year warranty on the structural parts and 1 year on all other parts.

CUSTOM SOLUTIONS AND SAILBOAT LIFTS

Golden Boat Lifts welcomes a challenge: for example, a boat lift can be put where no-one thought it was possible. The photo below shows a Golden Elevator Lift custom installed on a sheer rock face by Golden's Swedish distributor.

The 12,000 lb lift was specially built with a 24 degree angle to follow the slope of the rock wall. The heavy duty aluminum tracks were anchored to the rock face with large drilled anchors. This owner can now berth his boat in a location that was previously impossible.



We have produced many lifts for boat house installation or with custom cradles to accommodate sailboat keels, catamarans and other unusual hull configurations.

Golden has been building boat lifts for over 30 years. This experience translates into workable, durable and innovative custom solutions to unusual installation problems. Contact us with your special requirements: we have answers and we know how to do it right the first time.



PERSONAL WATERCRAFT LIFTS

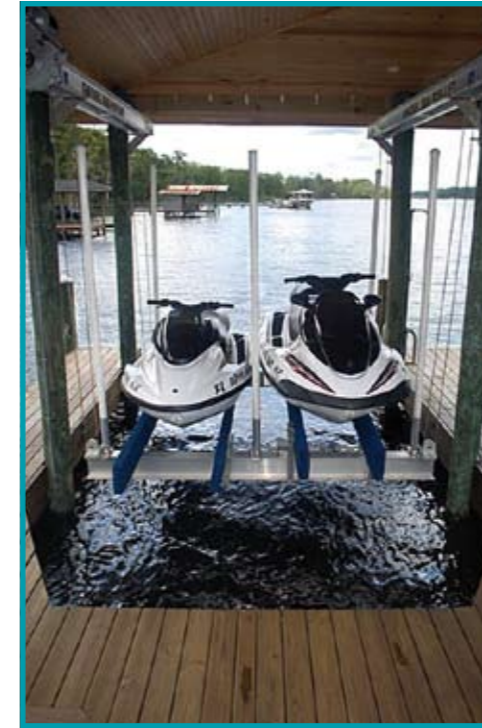
Golden Boat Lifts manufactures the finest aluminum and stainless personal watercraft lifts on the market today. These lifts, depending on style, require 1, 2 or 4 piles.

The new 3,000# Single Pile unit uses an exclusive Extruded Double I-Beam track for added stability and load distribution and can handle small watercraft up to 7' max beam.

All of these lifts are built from 6061 T6 marine grade aluminum with 300 series stainless steel hardware and cables.

PWC Lift Warranty

The Single and Two Pile Elevator style lifts have a 5 year structural warranty. The 4 post lift has our standard 15 year structural warranty.



ACCESSORIES

Golden Boat Lifts provides a wide range of accessories for customizing your lift. Boarding steps, walkways and stern platforms can be added to improve access to your boat.

All of our walkways and stairs are welded aluminum construction using 6061 T6 material for long life and durability just like our boat lifts.

Optional High Speed Motors

Remote Controls

Golden Boat Lifts offers standard and auto-stop remote controls for added convenience when raising and lowering your boat.

Stern Platform

Made to provide access to your outdrives or motors. Standard length is 16'.

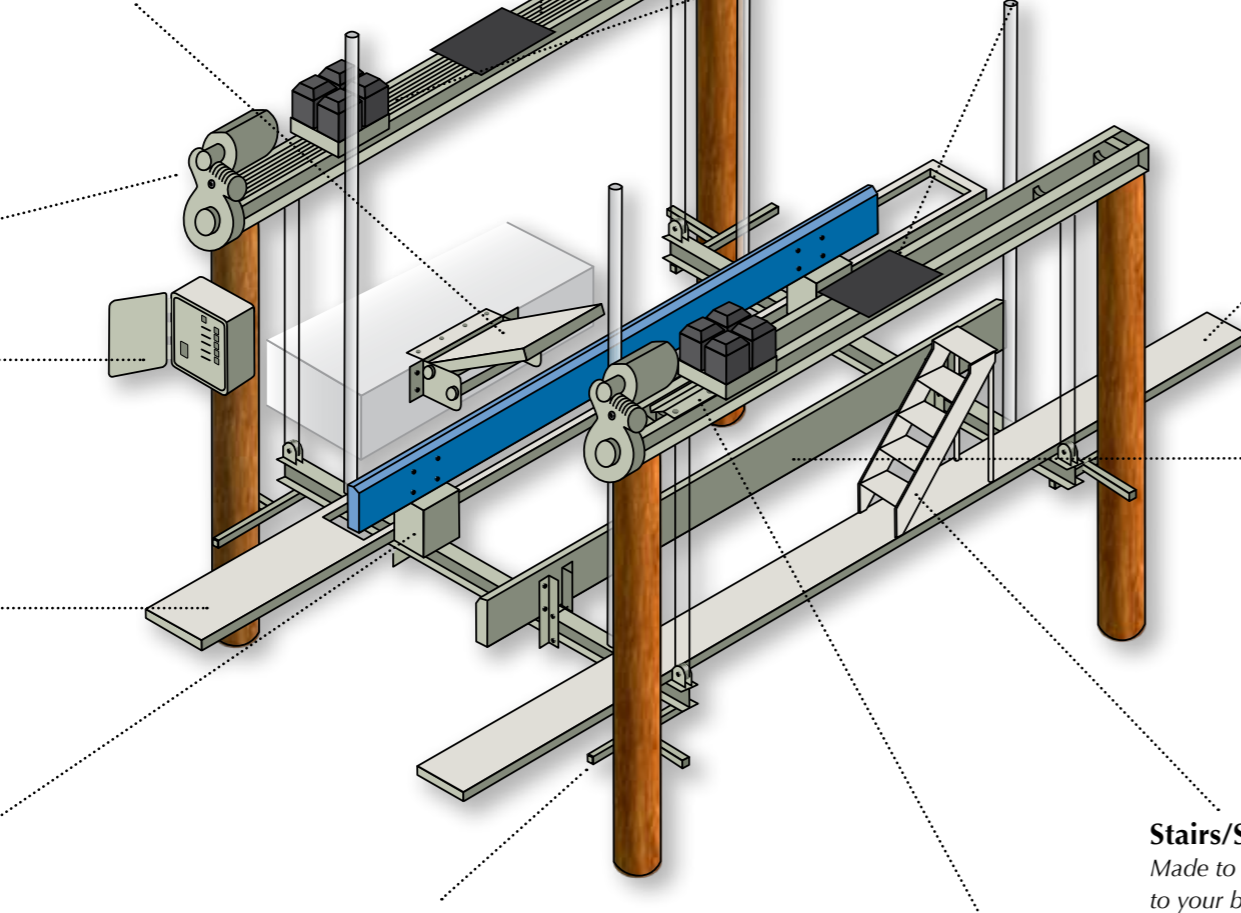
Bunk Risers

Used to elevate the bunk to meet specific boat manufacturers' specifications.

Top Beam Cover

Commonly used in a low profile installation so that the top beam can be used as a walk platform. Made to fit each specific lift size.

Hinged Boarding Platform



Optional 12 Volt DC Solar Power

Walkway

Used to allow greater access to your boat for boarding and cleaning. Standard width 15.5", lengths up to 30'.

Optional Aluminum Bunks

Stairs/Steps

Made to give even greater access to your boat and to attach to our standard walkways. Standard sizes: 2 step, 3 step, 4 step (8" step rise). Larger sizes are available upon request. Hand rails can be added if required.

Tide Guides

Designed to keep the cradle in place in high current situations. Mounted on all four corners of your cradle beams, they will follow the piles keeping the cradle in place.

Cable Keepers

Designed to keep the cable running in the grooves, very helpful for rough water situations. These are optional on any 4-Post or 8-Post lift.

GOLDEN BOAT LIFTS OVERVIEW

TYPE OF LIFT		HAS UPPER STRUCTURE	HAS UPPER BEAMS	USES PILING	SUITABLE FOR NARROW OR DIFFICULT ACCESS SITES	NUMBER OF MOTORS	FLAT PLATE DRIVES	SEA-Drive	LIFT CAPACITY																																		
									1,500 lbs	2,000 lbs	3,000 lbs	4,000 lbs	4,500 lbs	5,000 lbs	7,000 lbs	7,500 lbs	10,000 lbs	12,000 lbs	14,000 lbs	15,000 lbs	16,000 lbs	17,000 lbs	20,000 lbs	24,000 lbs	28,000 lbs	30,000 lbs	32,000 lbs	40,000 lbs	60,000 lbs	80,000 lbs	120,000 lbs	150,000 lbs	180,000 lbs	250,000 lbs									
BEAM LIFTS	4 PILING	Yes	Yes	Yes	No	2	ST	OP							x	x	x	x	x	x																							
	6 PILING	Yes	Yes	Yes	No	2	No	ST																												x							
	8 PILING	Yes	Yes	Yes	No	4	No	ST																													x						
ELEVATOR LIFTS		Yes	No	No	Yes	2	ST	OP			x			x	x			x	x																								
GATORVATORS	3 PILING 1 MOTOR	Yes	No	Yes	Yes	1	ST	OP			x				x																												
	3 PILING 2 MOTOR	Yes	No	Yes	Yes	1	ST	OP																																			
	4 PILING 2 MOTOR	Yes	No	Yes	Yes	2	ST	OP																																			
	4 PILING 4 MOTOR	Yes	No	Yes	Yes	4	ST	OP																																			
LOW PROFILE BOAT LIFTS		No	No	Yes	No	2	ST	OP																																			
UNDER DECK SYSTEMS		No	No	Yes	No	2	ST	OP																																			
FLOATING DOCK BOAT LIFTS		No	No	No	Yes	2	No	ST																																			
SWIVEL PWC LIFTS		Yes	No	Yes	Yes	1	ST	No	x																																		
STATIONARY PWC LIFTS		Yes	No	Yes	Yes	2	ST	OP																																			



WHEN IT'S DONE RIGHT... IT'S GOLDEN!



Golden Boat Lifts, Inc. Is "ISO 9001:2008 Certified"

GOLDEN MANUFACTURING INC.

17611 East Street – North Fort Myers – FL 33917 – U.S.A.

Tel. 239.337.4141 – Fax: 239.337.4482 – Toll Free 888.909.5438 (LIFT)

sales@goldenboatlifts.com – www.goldenboatlifts.com